

# Liquid Loader Design Information For Tank Truck Top Loading

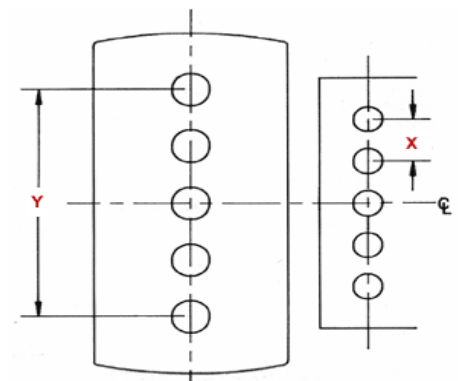
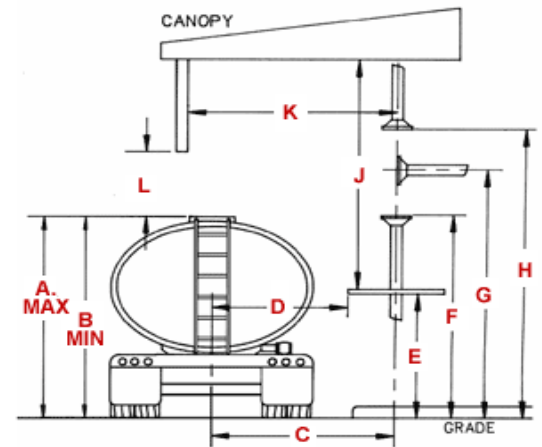


گروه صنعتی بهسازان بازو

Your Details	Name		Company	
	Address			
	Phone Number		Fax Number	
	E-Mail		Website	

Loading Arm Information	Number Of Arm		Loading Or Unloading	Unloading <input type="checkbox"/>	Loading <input type="checkbox"/>	
	Product To Be Handled		Pipe Size			
	Product Temperature		Flow Rate			
	Material	Other <input type="checkbox"/>	Stainless Steel <input type="checkbox"/>	Al Alloy <input type="checkbox"/>	Carbon Steel <input type="checkbox"/>	
	Product Seal	PTFE <input type="checkbox"/>		VITON <input type="checkbox"/>		OTHER <input type="checkbox"/>
	Accessories	Micro Switch Exs li T5x 380v ~ 16a Ip54				
		Posy-Stop <input type="checkbox"/>	Hook Bucket <input type="checkbox"/>	Remote Control <input type="checkbox"/>	Lock Down <input type="checkbox"/>	
Heating	Jacketing <input type="checkbox"/>	Steam Or Oil Tracing <input type="checkbox"/>	Electrical Tracing <input type="checkbox"/>	None <input type="checkbox"/>		

Loading Arm Location	A. Tank Truck (Highest)	
	B. Tank Truck (Lowest).	
	C. Center (Tank Truck To Riser )	Min ..... Max .....
	D. Tank Truck (Center To Platform Edge)	
	E. Platform (Height From Ground)	
	F. Riser Height (Up Feed)	
	G. Riser Height (Horizontal Feed)	
	H. Riser Height (Down Feed)	
	J. Canopy To Platform.	
	L. Safety Rail To Truck (Highest)	
	X. Distance Between Riser	
	Y. Center To Fills (Max & Min Reach)	



ADDITIONAL INFORMATION AND REQUIREMENT:

BHC-001-SM/00-002